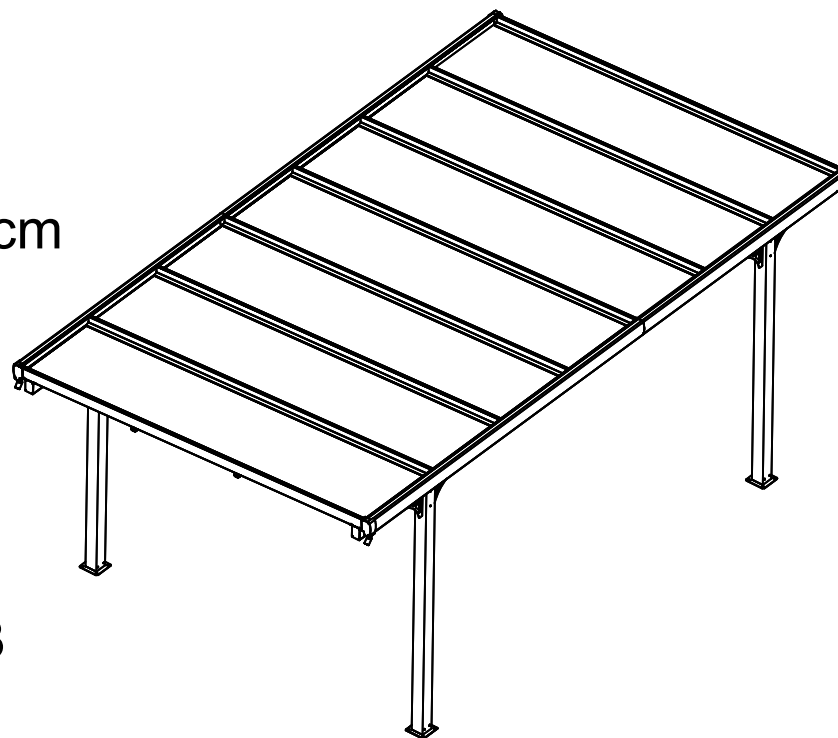


15m (5m x 3m) Pent Roof Premium Carport/Pergola

Dimensions:L496xW300xH230/215cm



CH-G500E-V3

30/08/2020

IMPORTANT

You must read these instructions carefully before you start to assemble this greenhouse. Please ensure that you find all parts in the carton box in the correct type and quantity as mentioned in the list illustrated in every page accordingly.

Please carry out the steps in the order set out in these instructions.

Do not tighten the steps in the greenhouse until completing on the assembly of the poly carbon ate panels.

Keep these instructions in a safe place for future reference.

PRODUCT SIZE

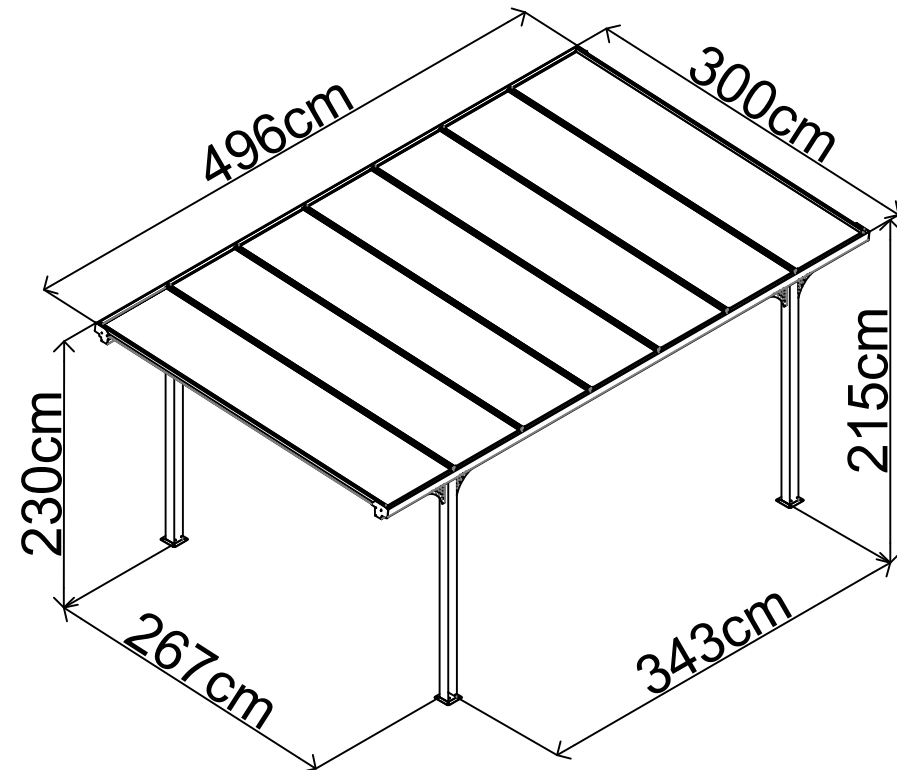
Firstly, make sure a good installation location.

Find a flat ground which is 2 times bigger than the Green house before installation.

OTHER CAUTIONS

1. 3-4 people required, one is for measuring & taking marks to ensure the installation dimension ,the second person is responsible for the installation and the last one do as assistant and assure the safety.
2. High-power electric tools are required, ensure the normal work of them and highly pay\attention to electric safety.
3. Be careful when using the kind of blunt tools, like hammer.
4. Wearing long sleeve cotton overalls,gloves and helmet during installation and wea safety glasses when using power tools.
- 5.No up watching when working height, or the drop screws may hurt your eyes and suffocation causing accide ntally when fall into your mouth.
6. No climbing, No standing on the tent to avoid falling down.
7. If injuries immediately, using the first-aid kit to stop bleeding,bind up, In case of emergency, taken immediately to a nearby medical institutions.

CH-G500E-V3



SAFETY ADVICE

We strongly recommend the use of work gloves during assembly.

Do not attempt to assemble the Aluminum Pavilion in windy or wet conditions,

Do not touch overhead power cables with the aluminum profiles.

Always wear shoes and safety goggles when working with extruded aluminum.

Dispose of all plastic bags safely-keep them out of reach of small children.

The Aluminum Pavilion must be positioned and fixed on a flat level surface.

Do not lean against or push the Aluminum Pavilion during construction.

Keep children away from the assemble area.

Do not position your Aluminum Pavilion in an area exposed to excessive wind.

Do not attempt to assemble this Aluminum Pavilion if you are tired ,have taken drugs or alcohol or if you are prone to dizzy spells.

If using a step ladder or power tools ensure that you follow the manufactures safety advice.

Hot items such as recently used grills, blowtorches etc.must not be stores in the Wall shed.

Ensure there are no hidden pipes or cables in the ground before inserting the pegs.

GENERAL ADVICE

This is a multi-part assembly, Allow at least 180 minutes for assembly.

Selecting a site-choose a sunny level position away from overhanging trees.

If you are fixing your Aluminum Pavilion directly to a solid concrete foundation use the pre drilled holes in the metal base supplied.

The component parts should be checked and laid out close at hand.

Keep all small parts(screws etc)in a bowl so they do not get lost.

Keep roof clear of snow and leaves.

CARE & MAINTENANCE

When your Aluminum Pavilion needs cleaning, use a mild detergent solution and risen with cols clean water.

Do NOT use acetone, abrasive cleaners or other special detergents to clean the clear panels.

20-3

TOOLS & EQUIPMENT REQUIRED

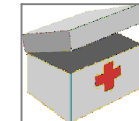
Protective Equipment:

1.Helmet



2.Glove

3.Long Sleeve Cotton Overalls



4.Emergency Medicine Cabinet

5.Eye Shield

Measure (metric):

1.The Tape (5 m)



2.Angle Square

3.Level Meter



Installation Tool:

1.Spanner 8mm (Ratchet Wrench is better)

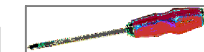


2.Electric screwdriver+8mm hex bolt sleeve(suggest)

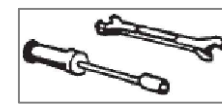
3.Wooden Mallet

4.Marking Pen

5.Silicon

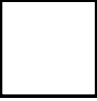
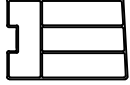

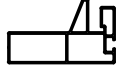
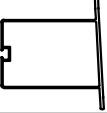

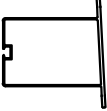





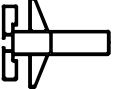










6.Knife



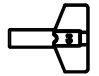









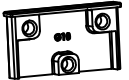



7.Phillips screwdriver



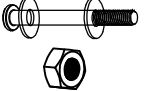
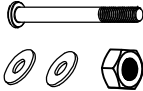




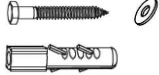
PARTS LIST(2-1)


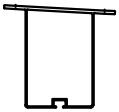
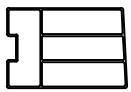

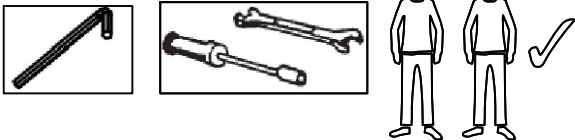
NO	Qty	Drawing	mm	NO	Qty	Drawing	mm
D1	2		2140	D10	2		800
D2	2		2000	D11	2		2900
D4R	2		2477	C2	2		760
D4L	2		2477	C1	4		150
D5	2		2828				
D6	2		2124				
D7	4		2480				
D8	4		2480				
D9	6		2900				

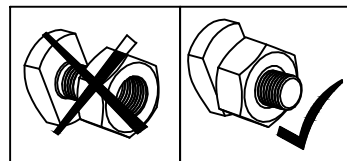
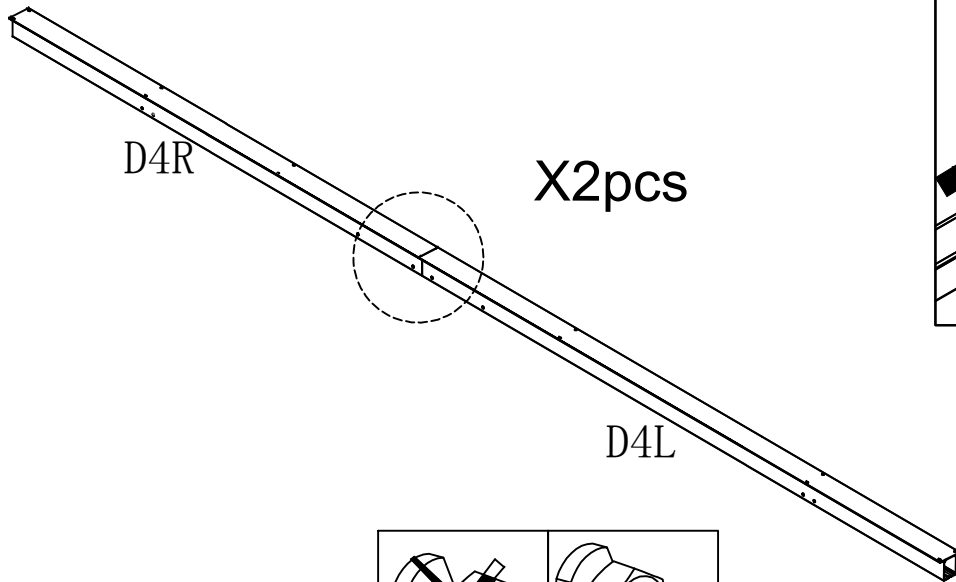
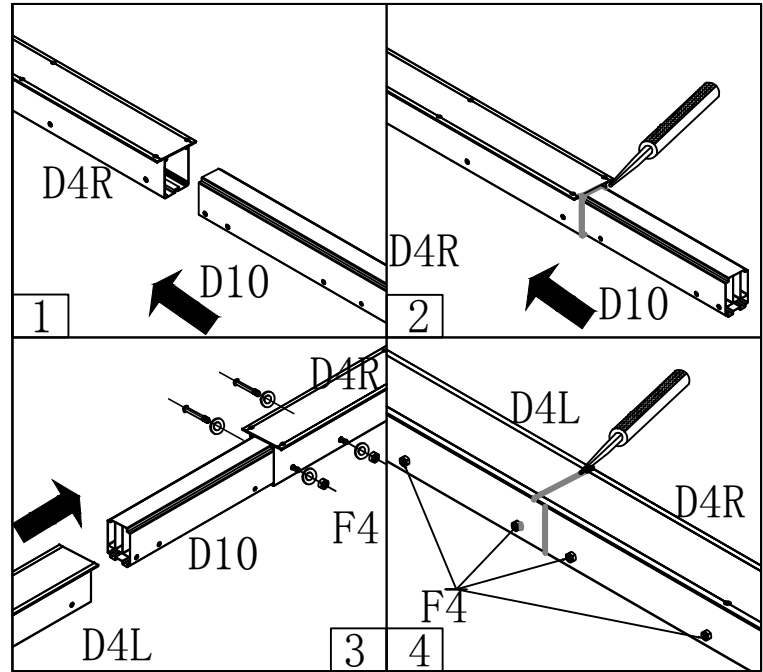
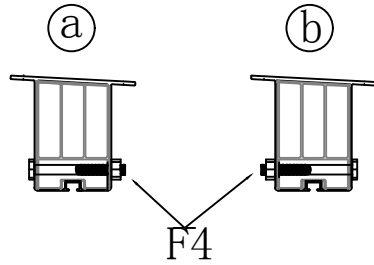
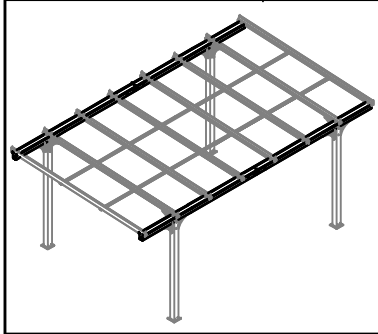
NO	Drawing	Qty
G1L		1
G1R		1
G2L		1
G2R		1
G3		8
G4L		2
G4R		2
G5		4

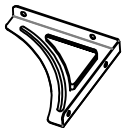
PARTS LIST(2-2)

NO	Qty	Drawing	NO	Qty	Drawing
G6	12		A3	4	
G7L	2		A4	4	
G7R	2		A5	2	
G8	2		F9	1	
G9	2		F10	1	
G10	8				
G11	4				
A1	2				
A2	2				

NO	Qty	Drawing	mm
F1	16		ST4. 2x10
F2	96		M6x12
F3	24		M8x105
F4	8		M8x75
F5	16		M8x20
F6	8		M8X12
F7	8		ST5x16
P1	7		683x2900
F8	16		GBT6x60mm

<p>D4LX2</p> 	<p>D4RX2</p> 	<p>D10X2</p> 	<p>F4X8</p> 	
--	--	--	--	---

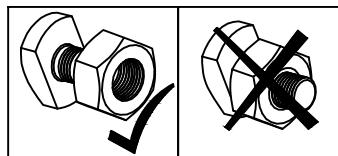
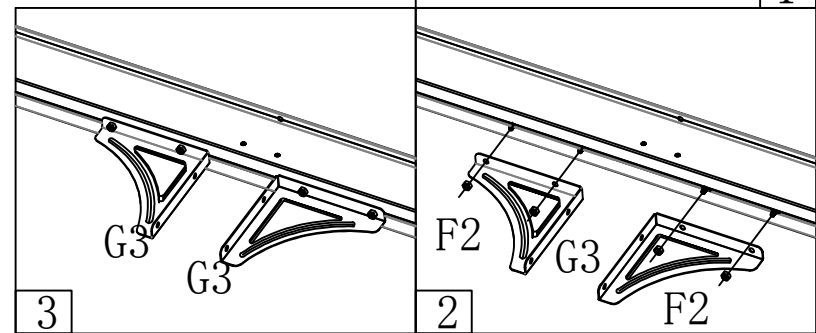
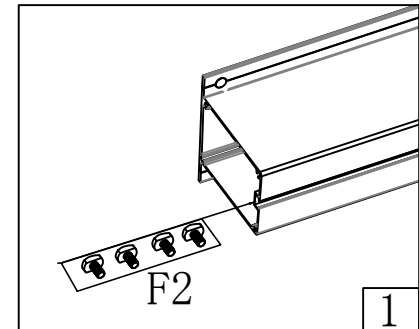
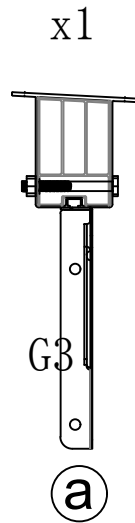
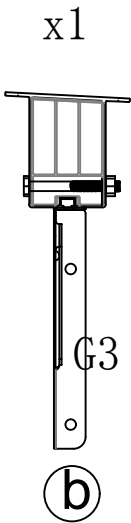




G3X8

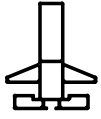


F2X16

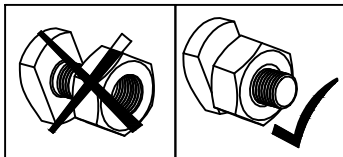
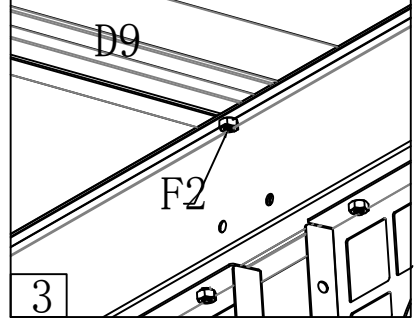
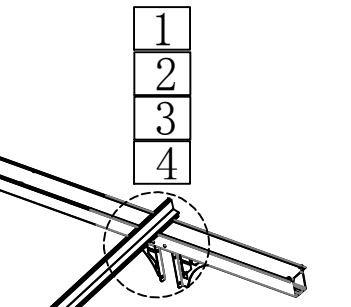
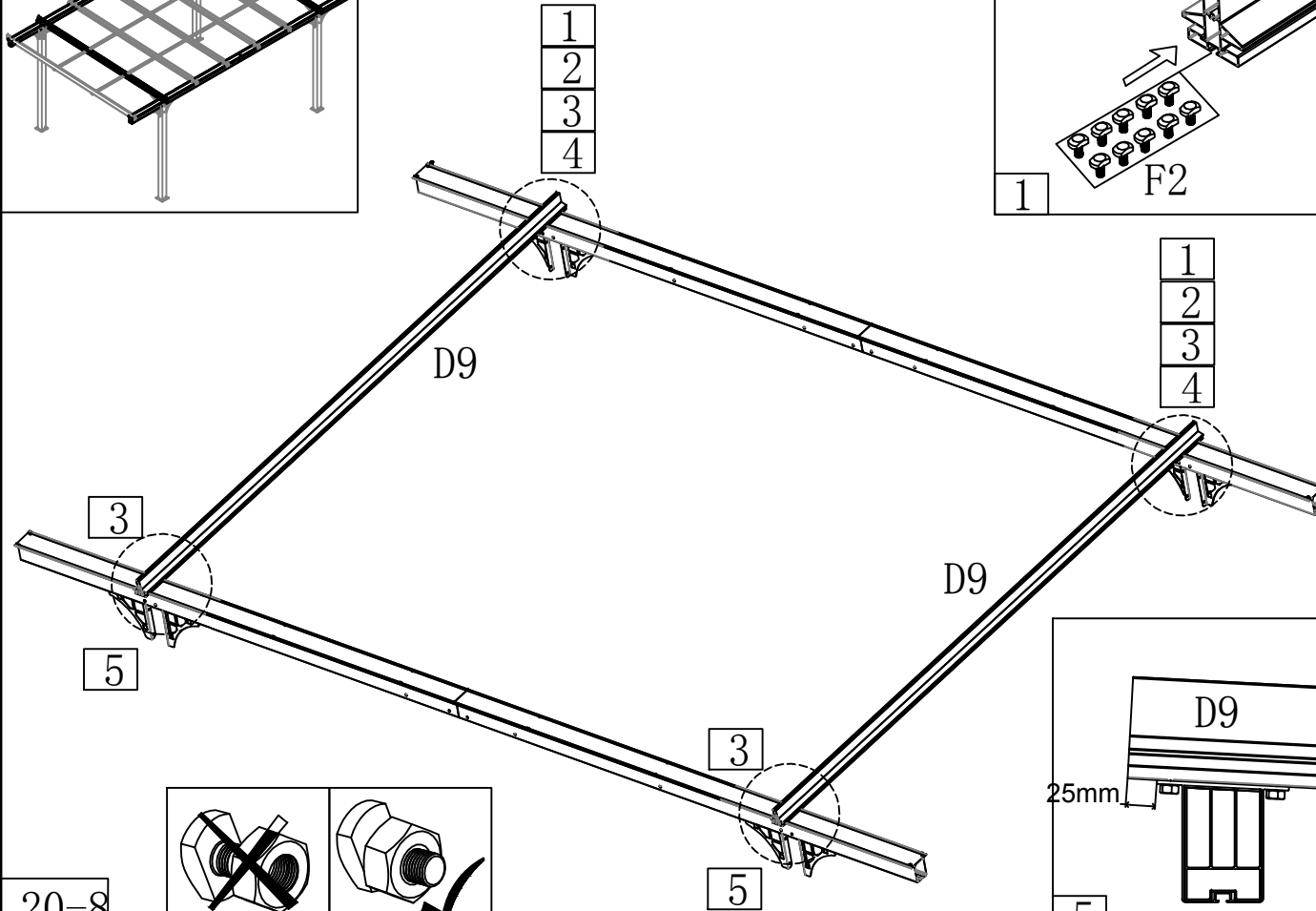
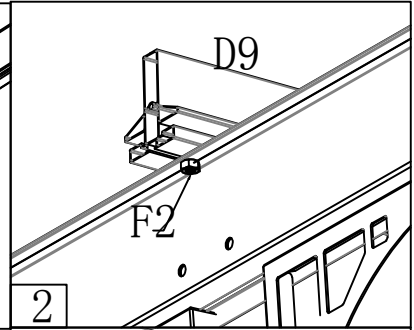
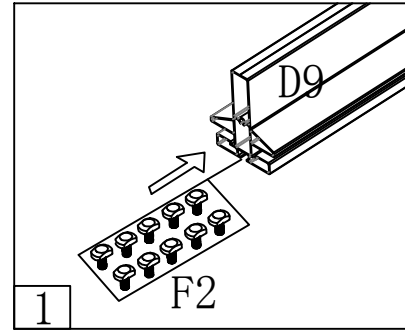
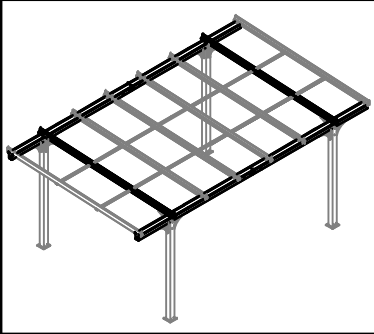
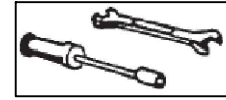
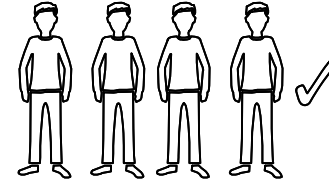


20-7

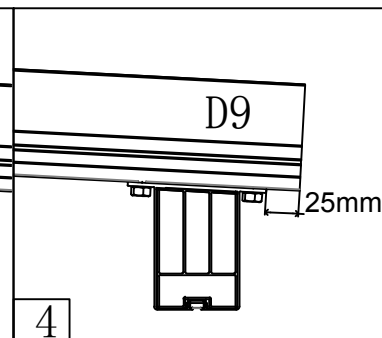
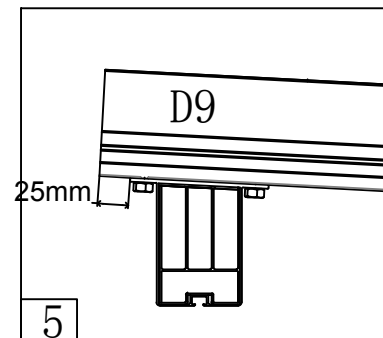
D9 X2



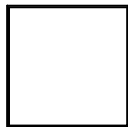
F2 X20



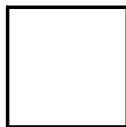
20-8



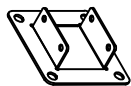
D1X2



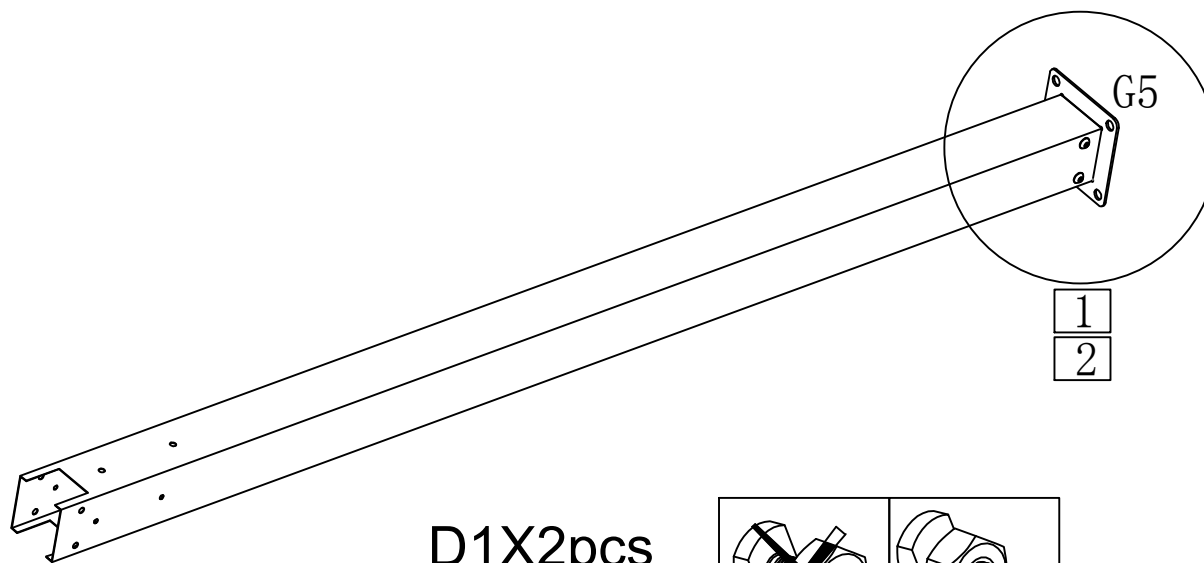
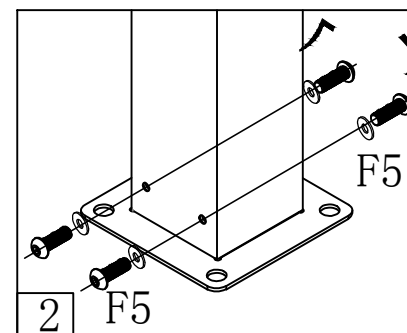
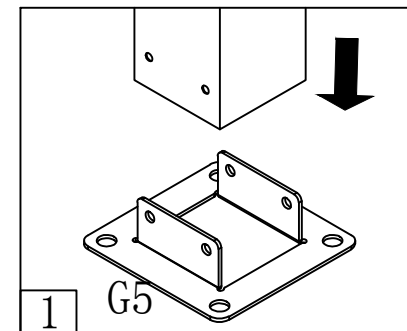
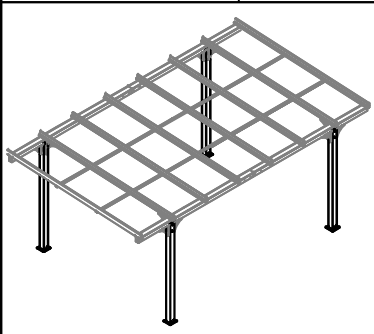
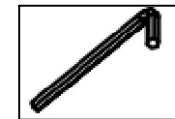
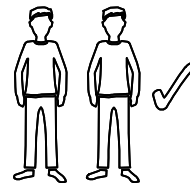
D2X2



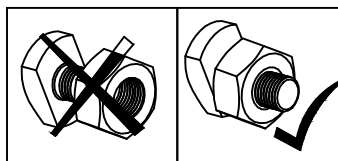
G5X4



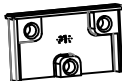




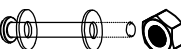

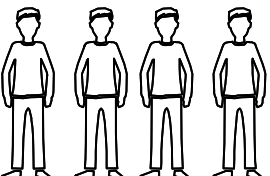
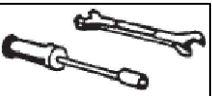
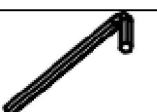
F5X16

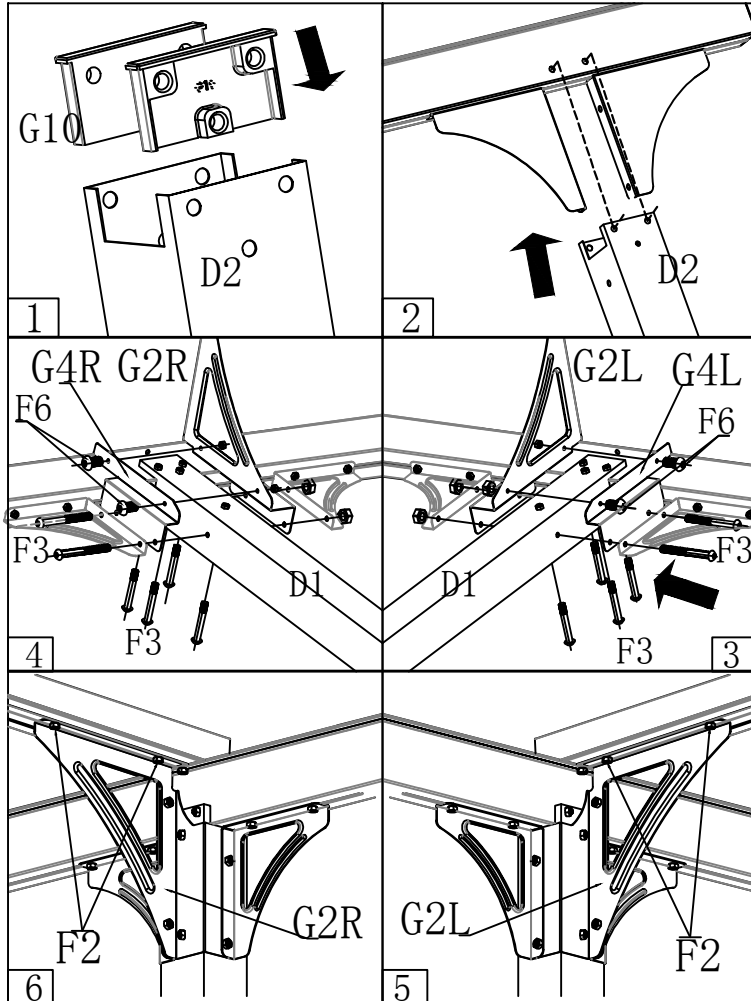
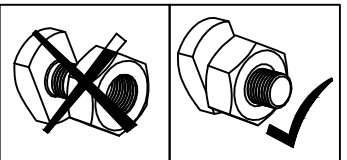
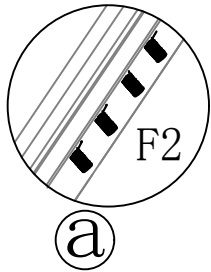
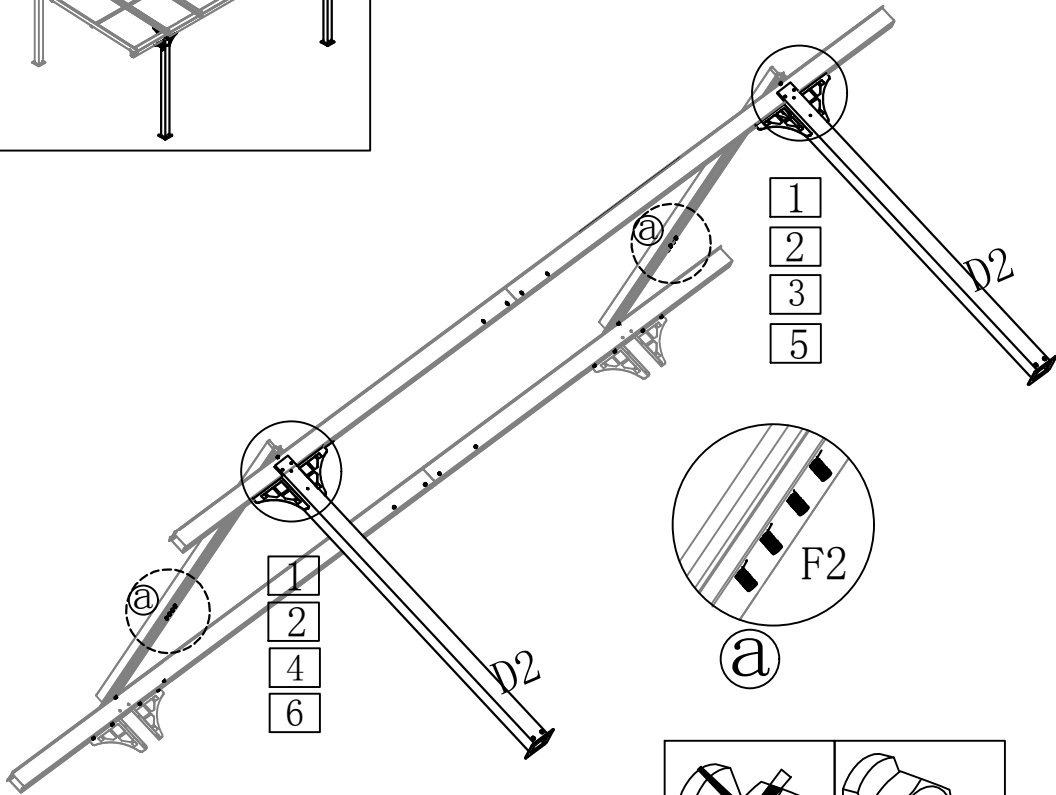
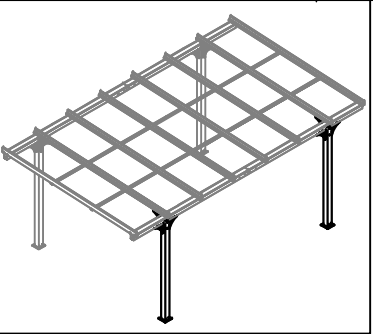


D1X2pcs
D2X2pcs

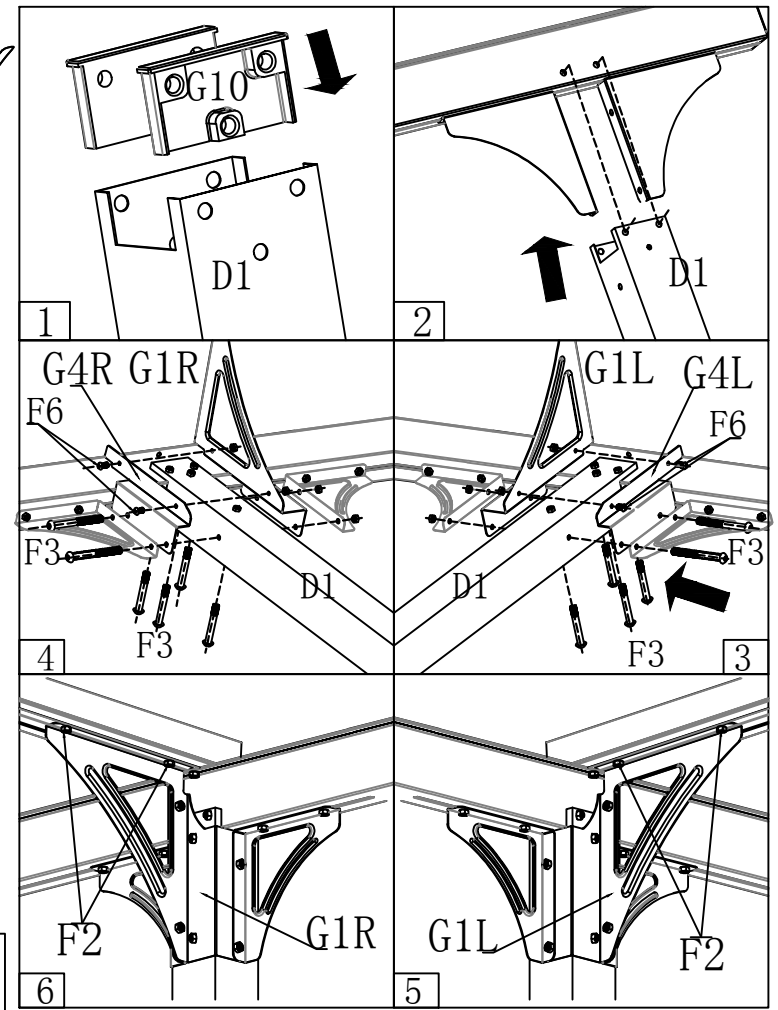
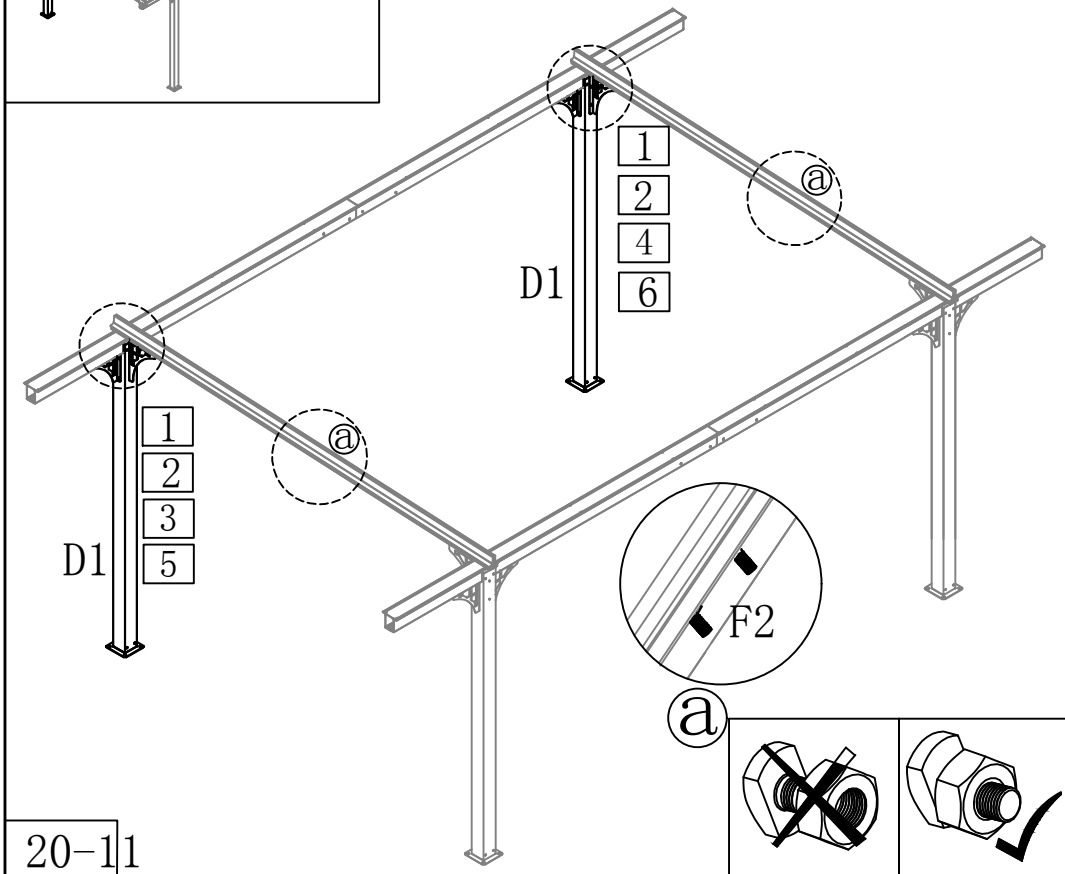
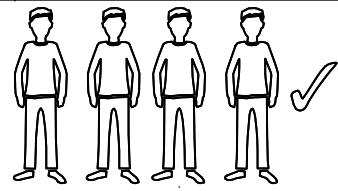
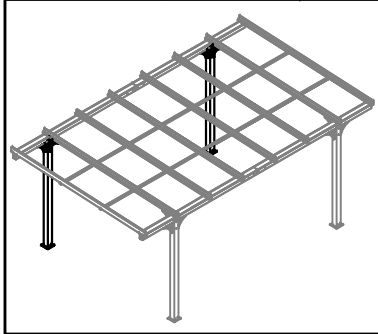


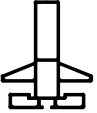
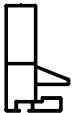

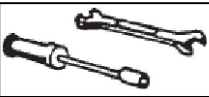


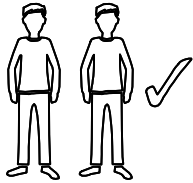
20-9

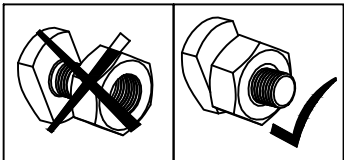
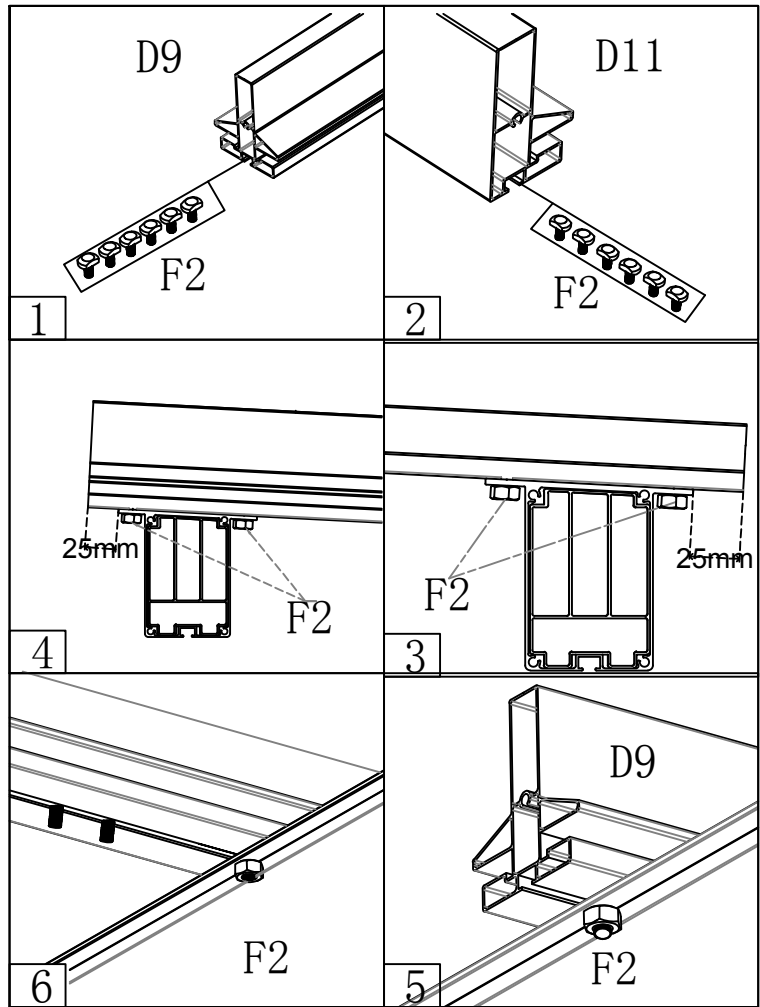
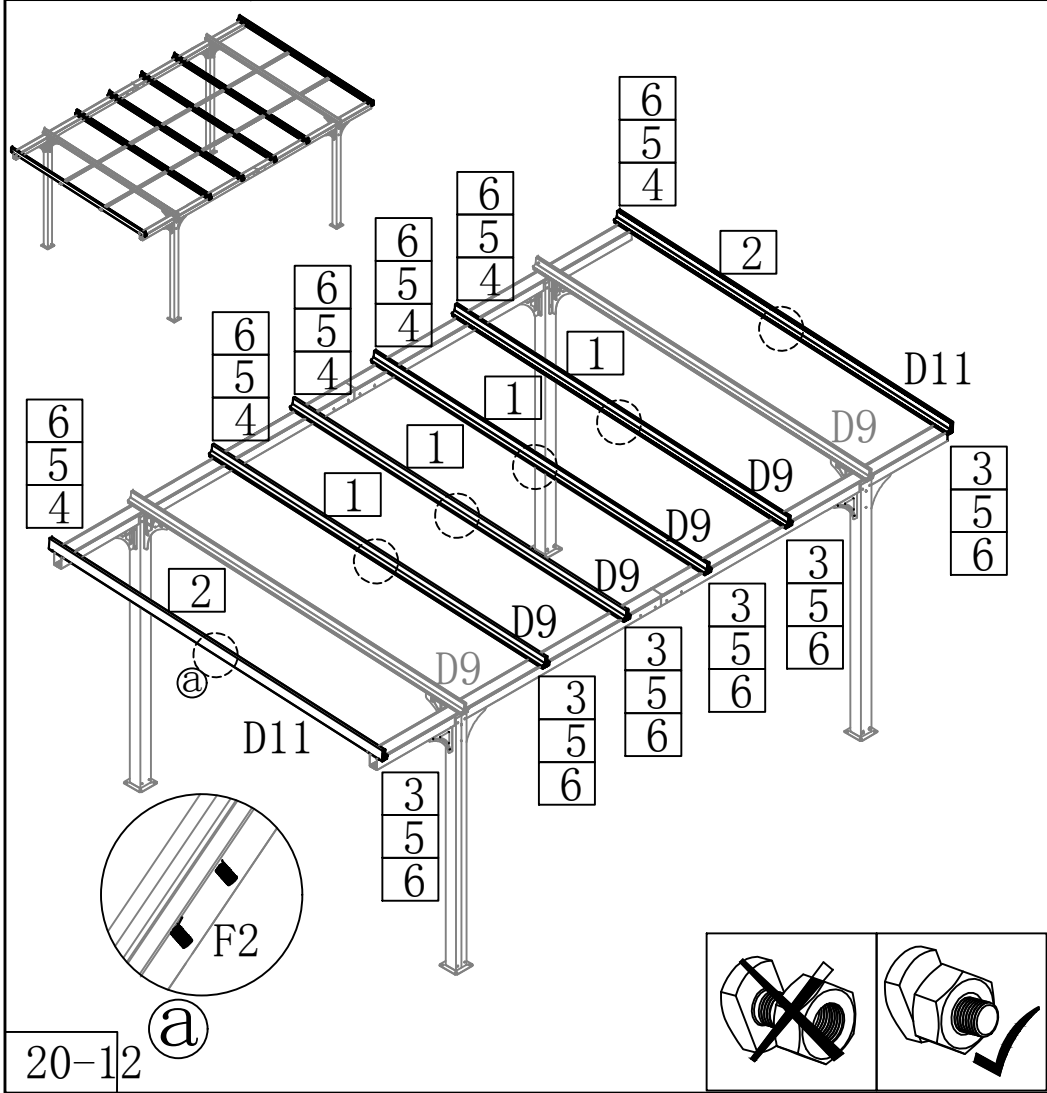
G10X4 	G2LX1 	G2RX1 	G4LX1 	G4RX1 	F3X12 	F6 X4 	  
--	--	--	--	--	---	--	---









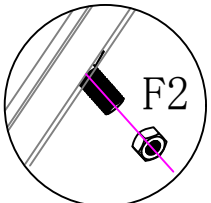
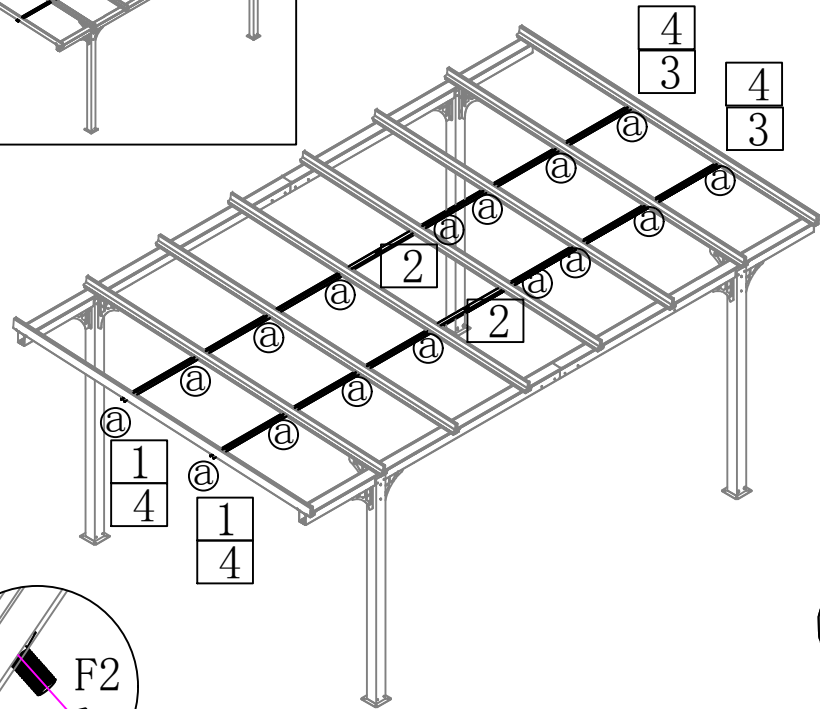
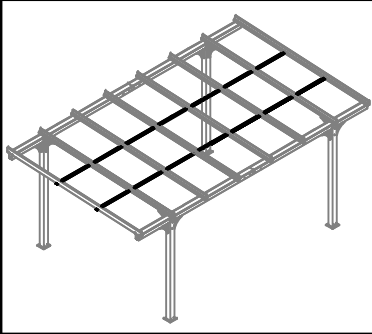
G10X4 	G1LX1 	G1RX1 	G4L X1 	G4R X1 	F3X12 	F6 X4 			
-----------	-----------	-----------	------------	------------	-----------	-----------	--	--	--



<p>D9X4</p> 	<p>D11X2</p> 	<p>F2X36</p> 				
---	--	--	---	---	---	---

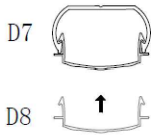
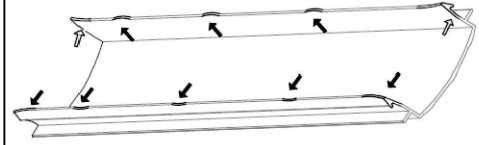
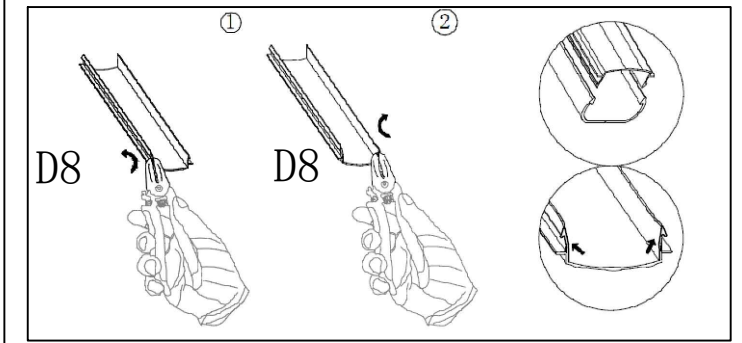
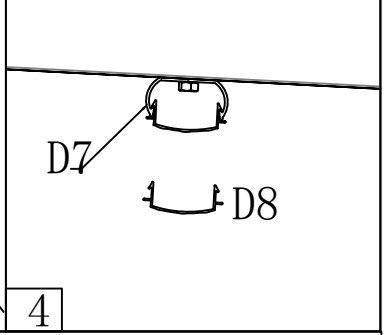
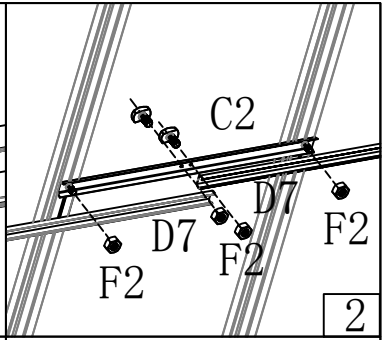
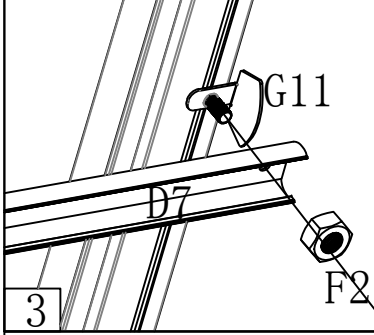
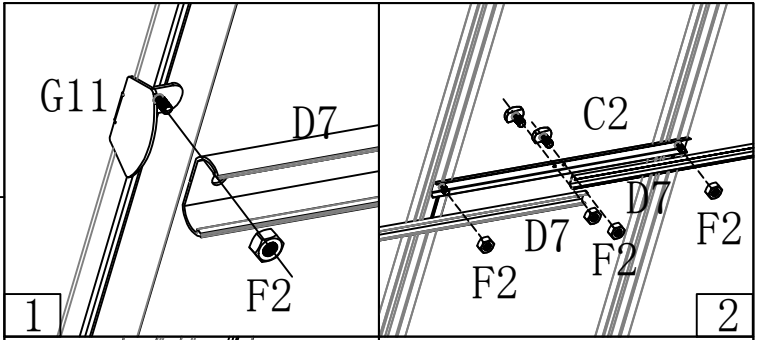
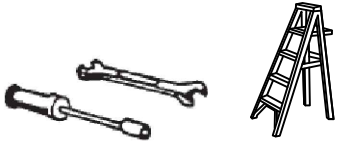
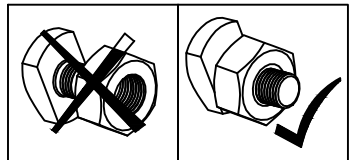


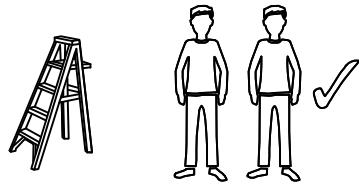
D7x4 	D8x4 	C2x2 	F2 X4 	F2 X16 	G11X4 
---	---	---	--	--	--



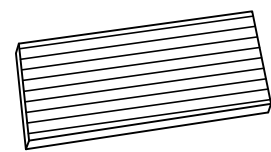
a

20-13

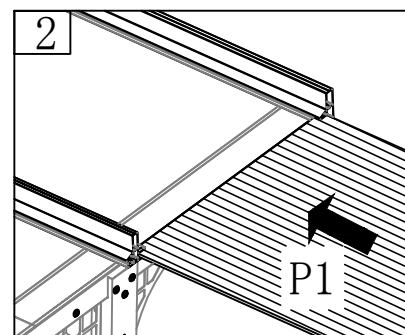
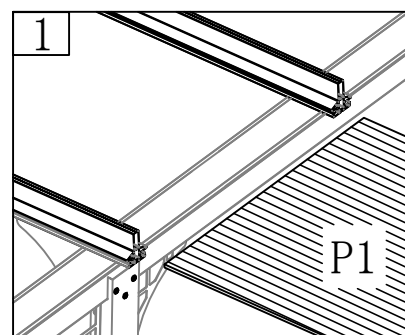
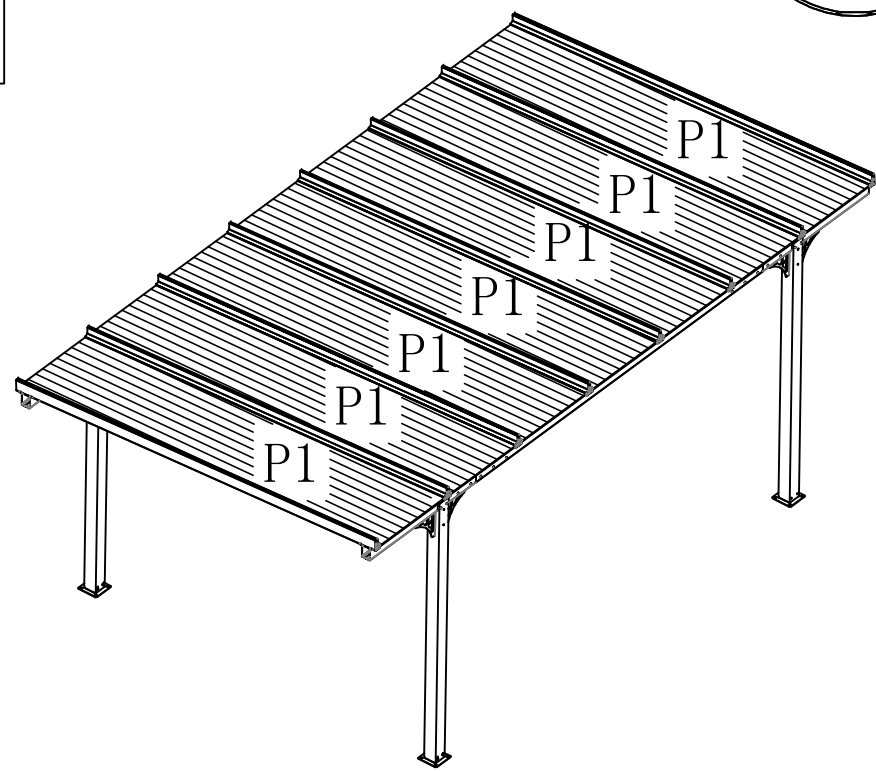
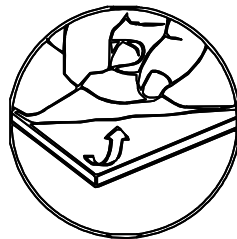
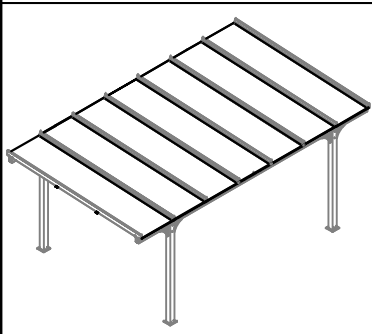




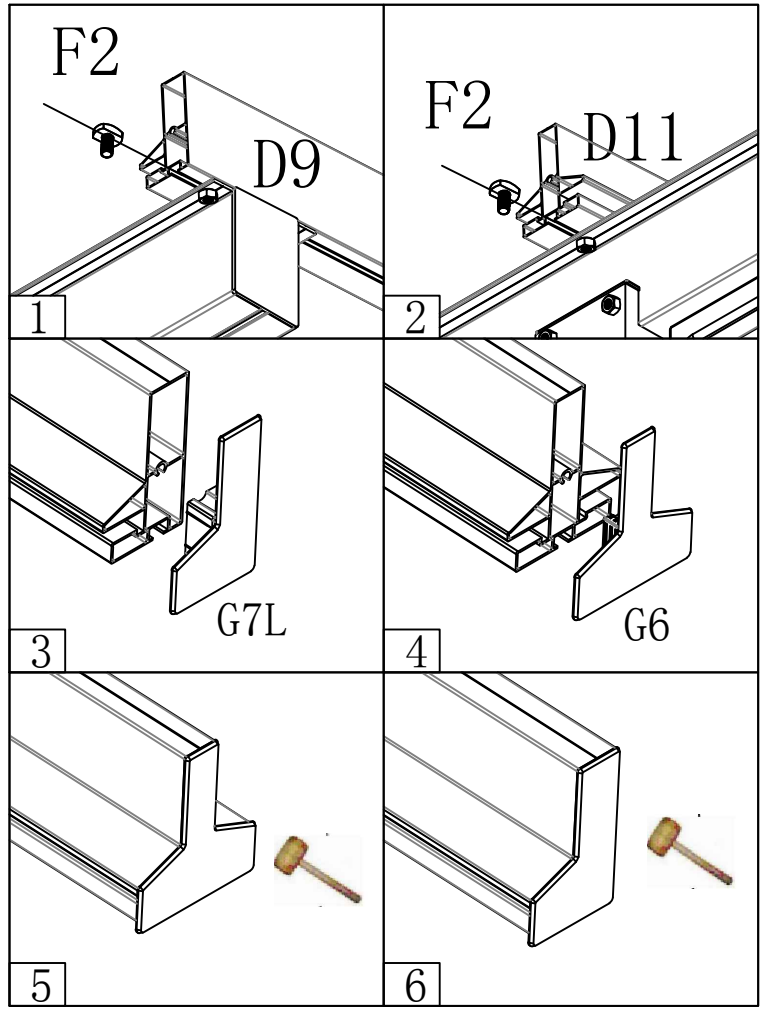
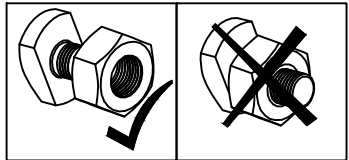
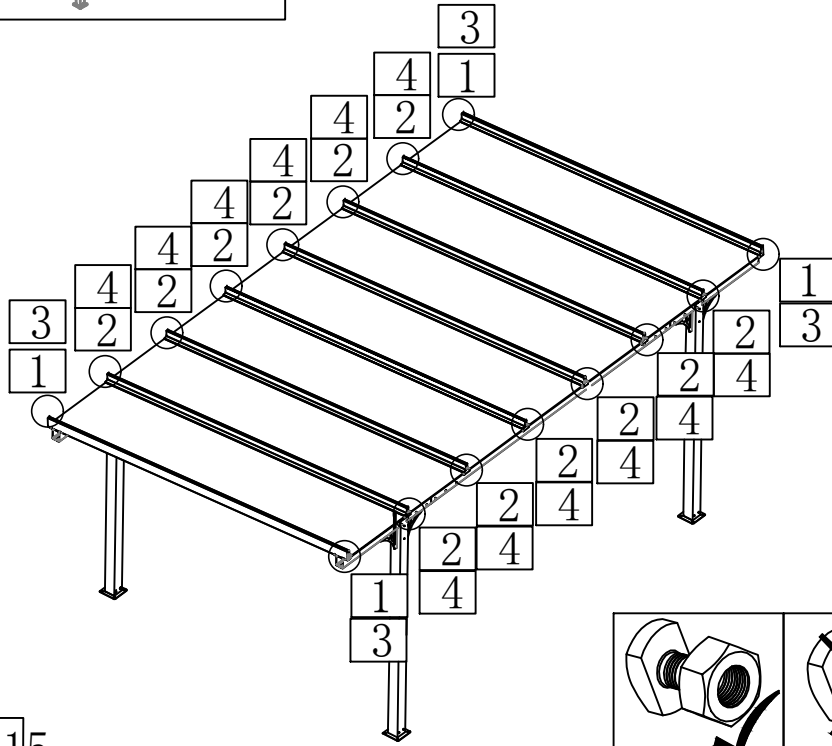
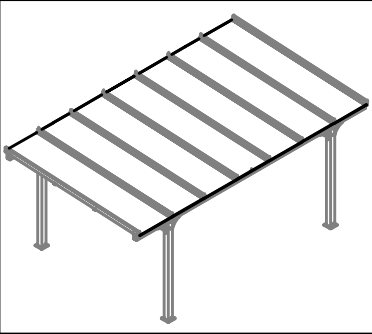
P1



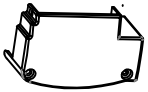
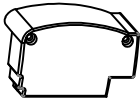
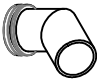

X7

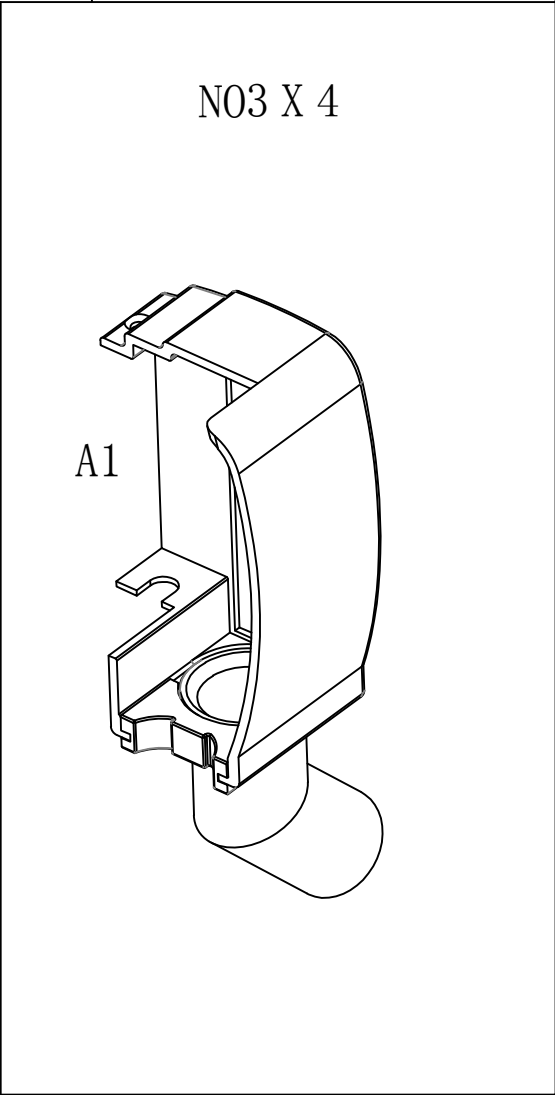
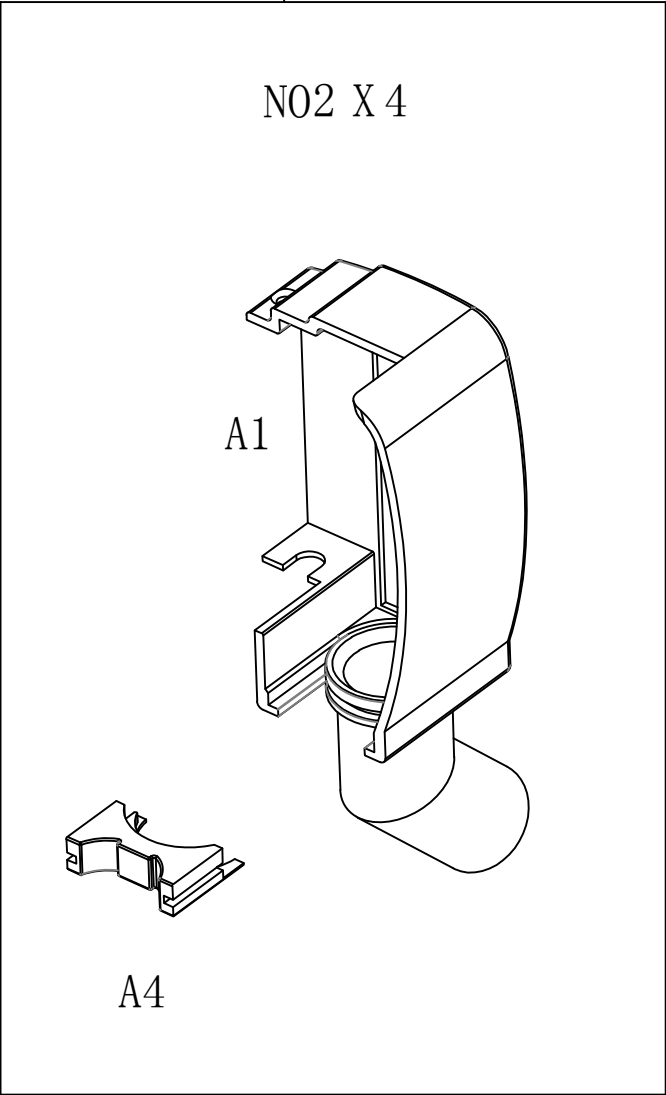
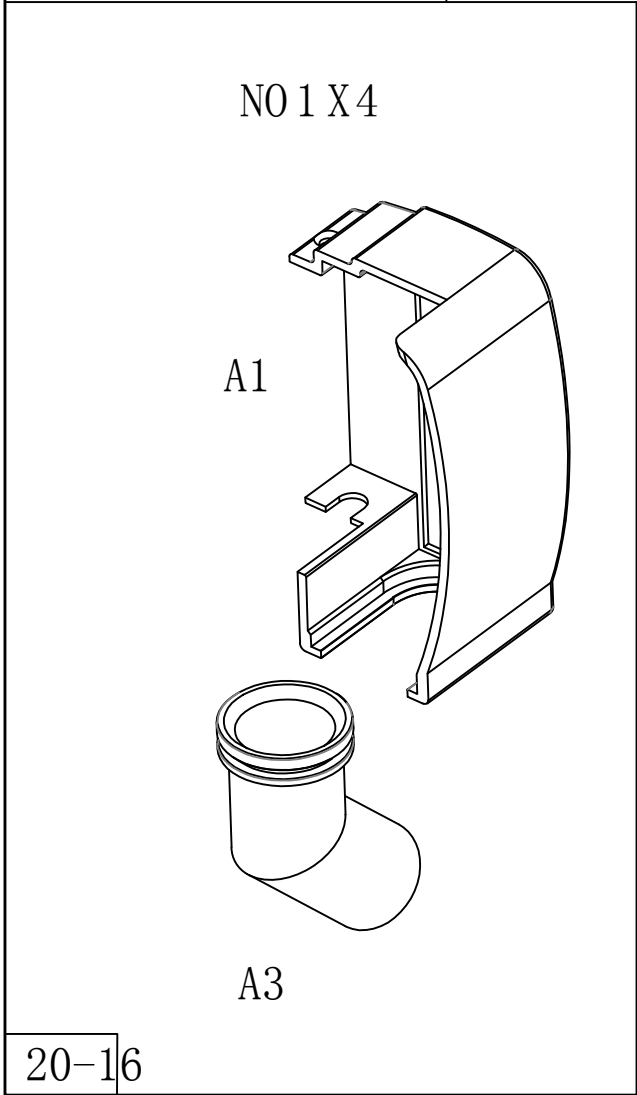


G6x12 	G7Lx2 	G7Rx2 	F2 X16 	 
--	--	--	---	---

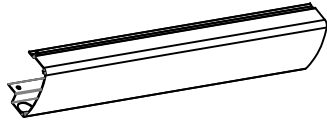


20-15

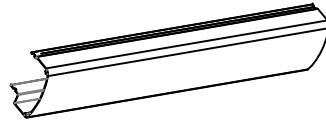
<p>A1  2</p>	<p>A2  X2</p>	<p>A3  X4</p>	<p>A4  X4</p>
---	--	--	--



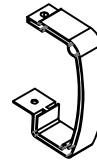
D5 x2



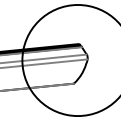
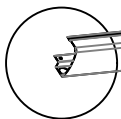
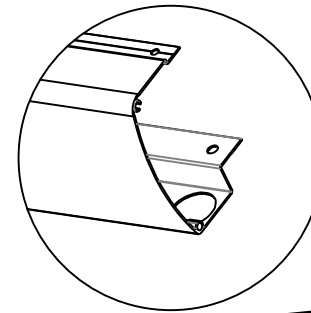
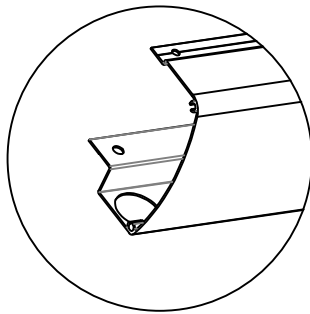
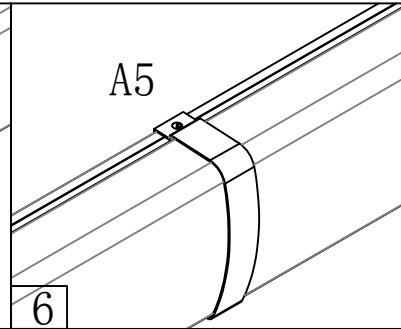
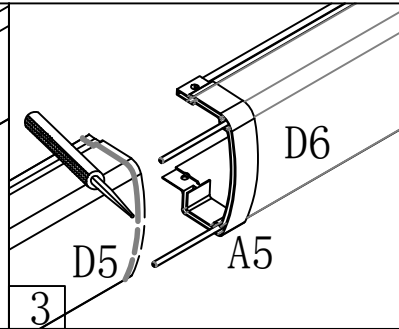
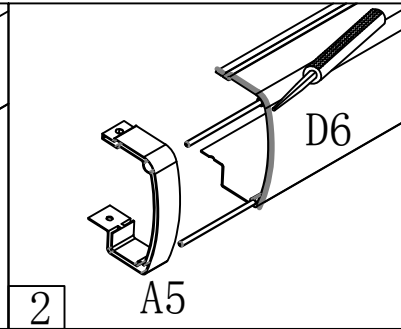
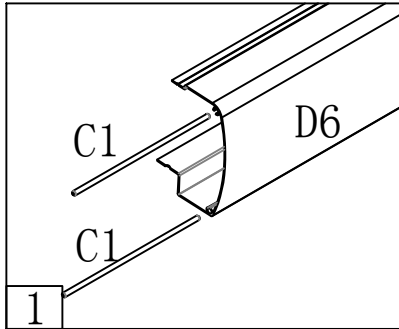
D6 x2



A5 x2



C1 x4



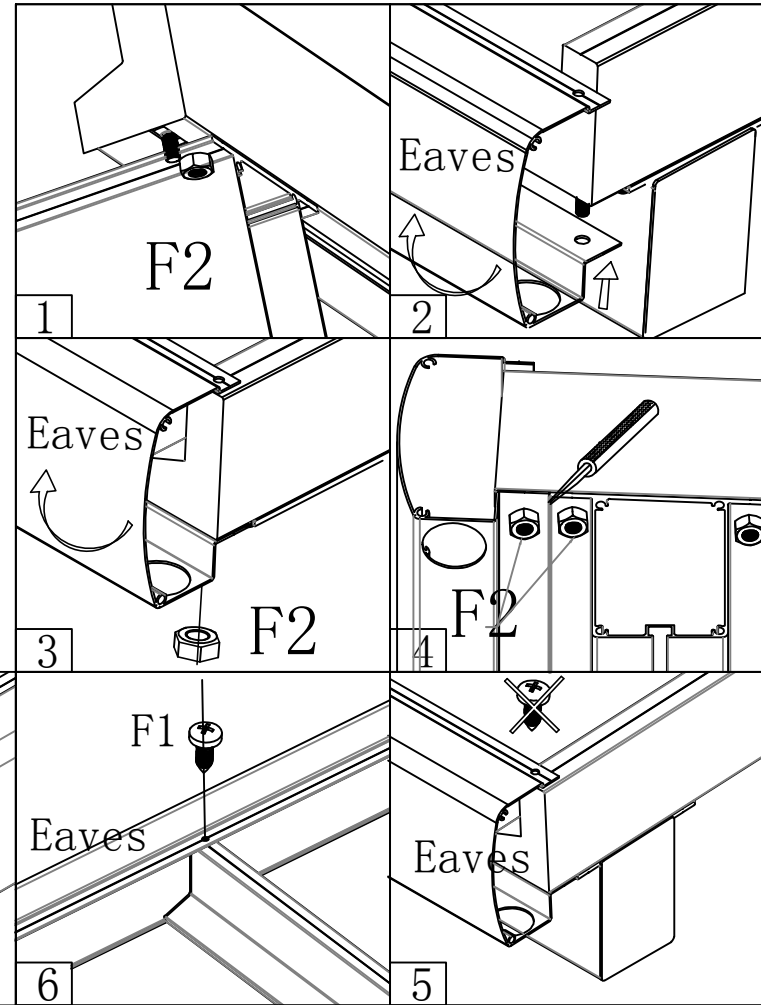
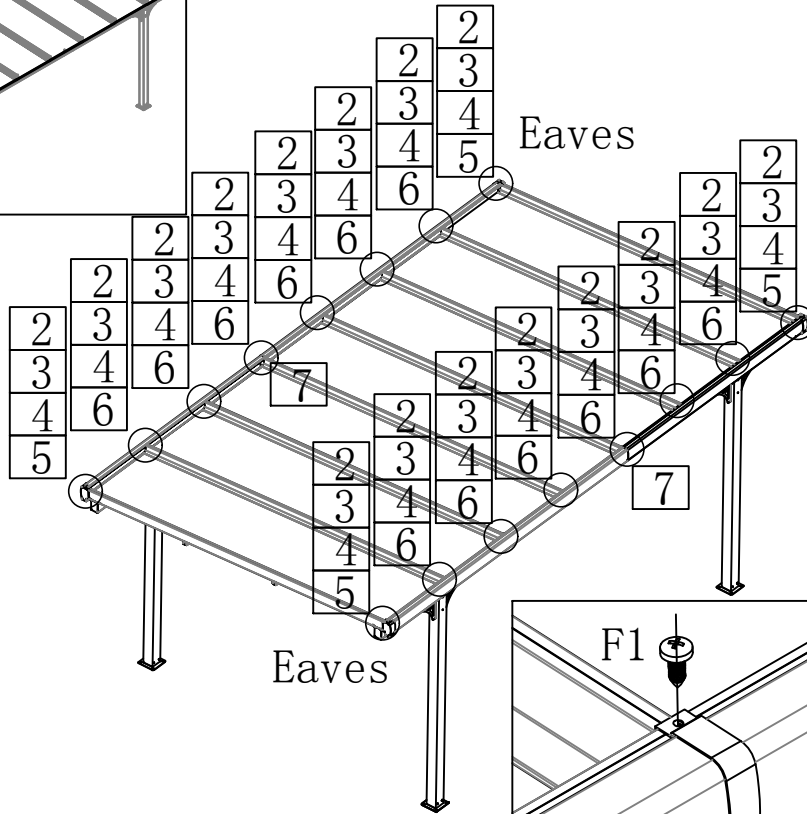
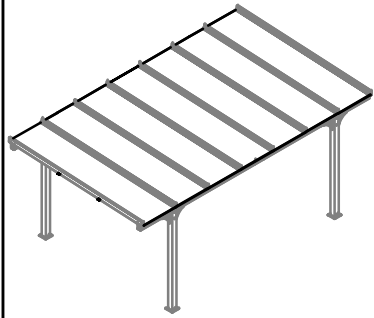
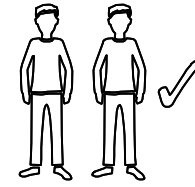
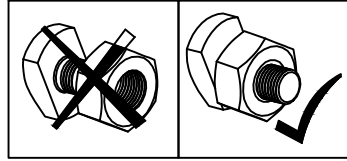
20-17

D5

D6

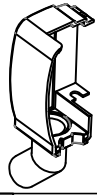
x2 Eaves

F1x12





G4x2



G5x2



G8x2



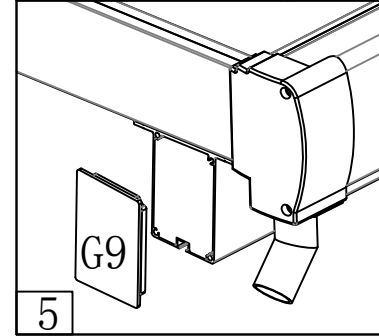
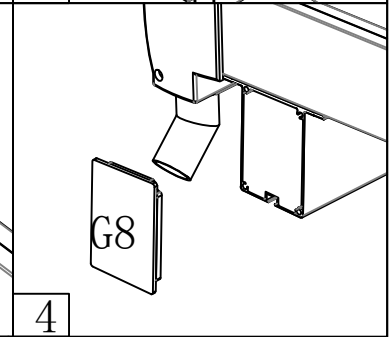
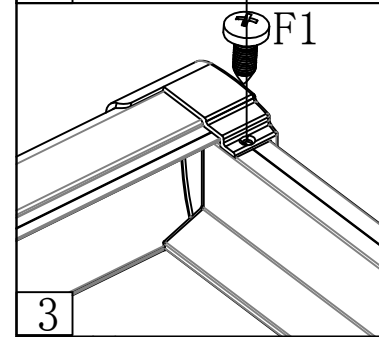
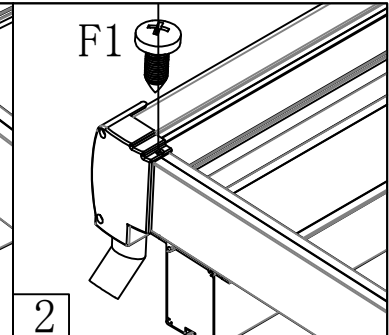
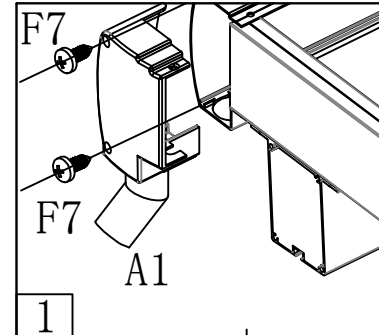
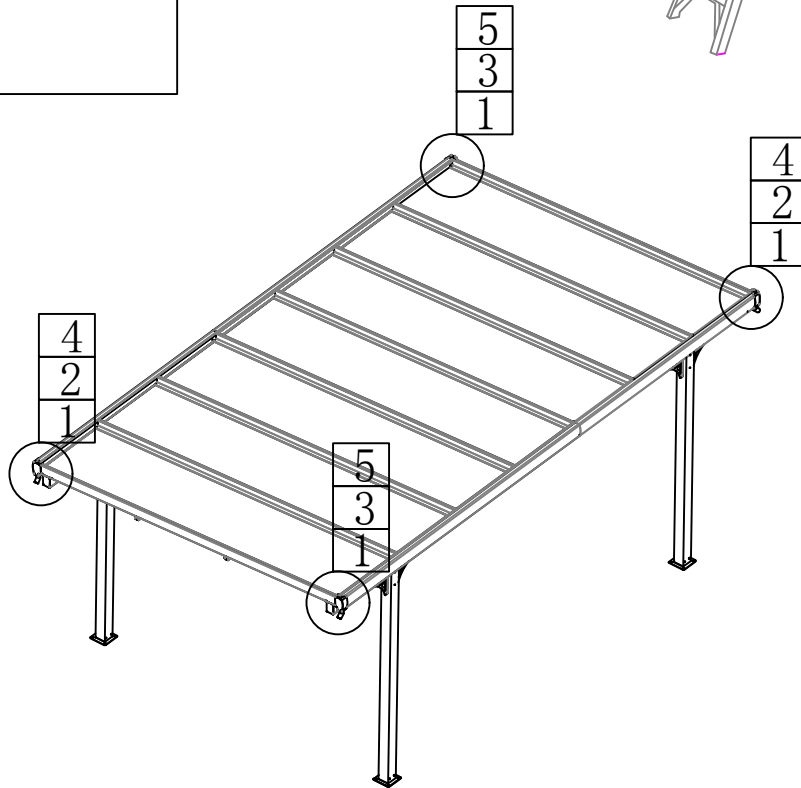
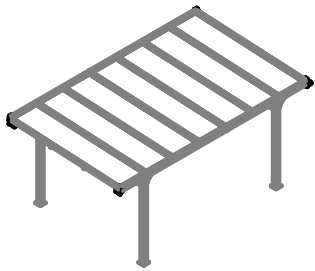
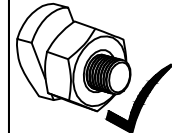
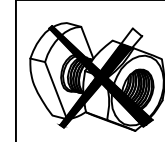
G9x2



F7x8



F1x4

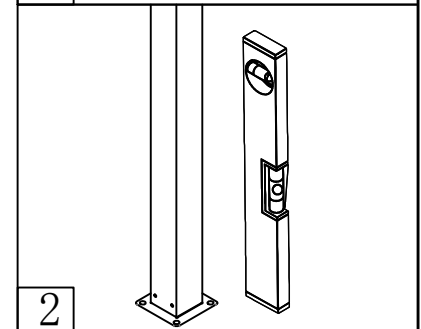
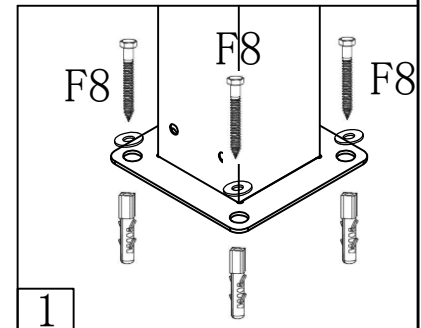
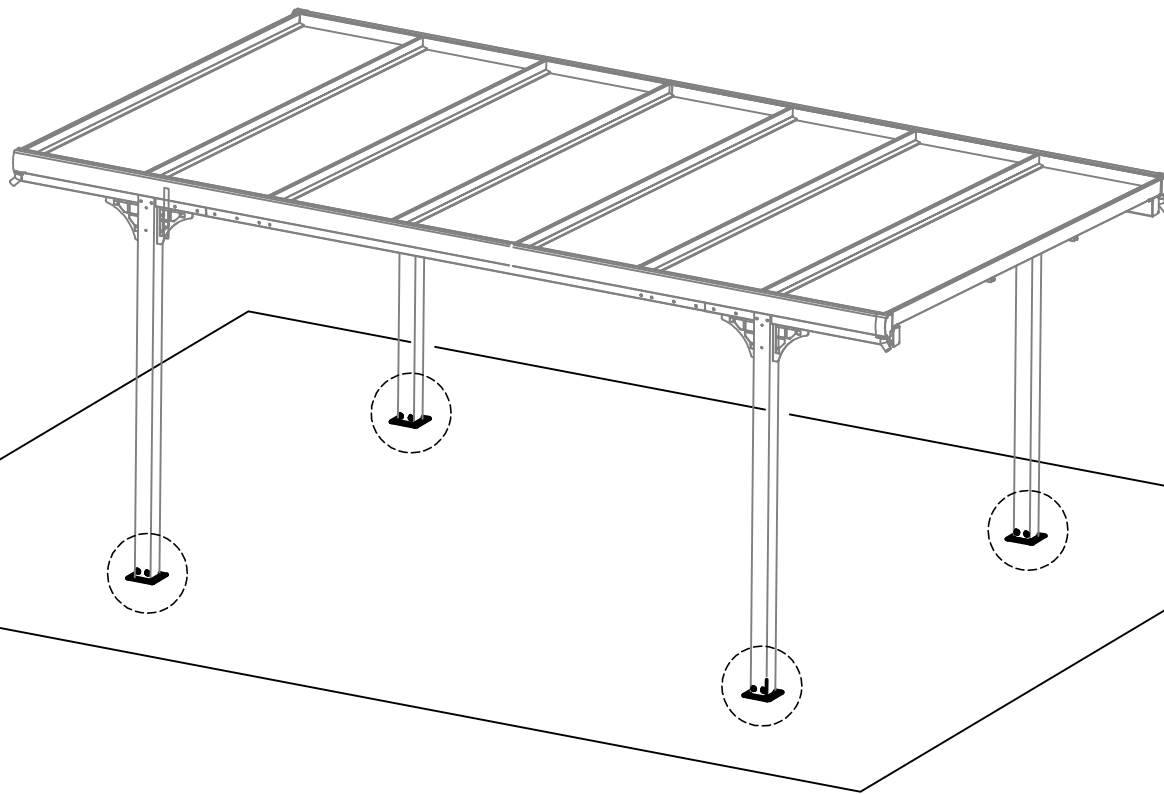




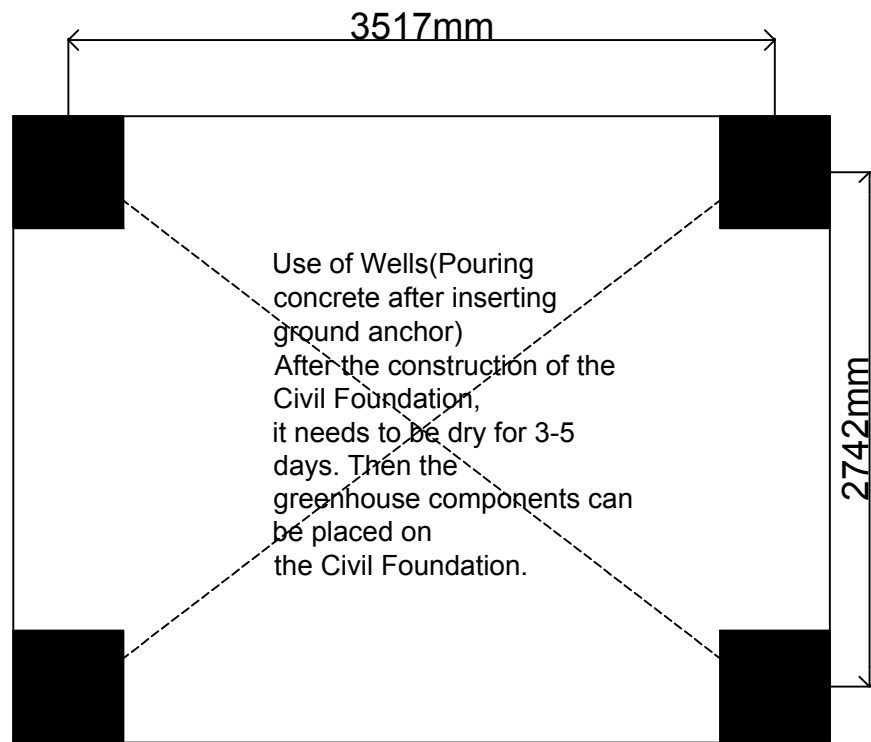
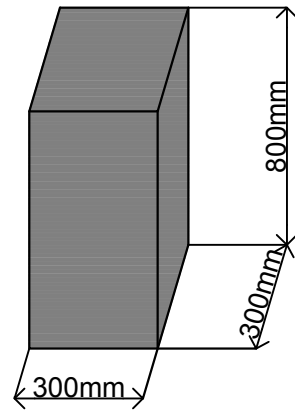
F8



16



Installation instructions and illustrations



1. Make sure the ground flat and firm before installing, avoid the ground subsidence and cause the greenhouse to tilt.
2. If you need to permanently install without moving, please use solid bricks and concrete to make the building foundation, make the house stronger.
3. Additional ground anchors or expansion screws required for different floors are required to be purchased by the user, and this product is not provided.